

Z-Type Laptop Riser

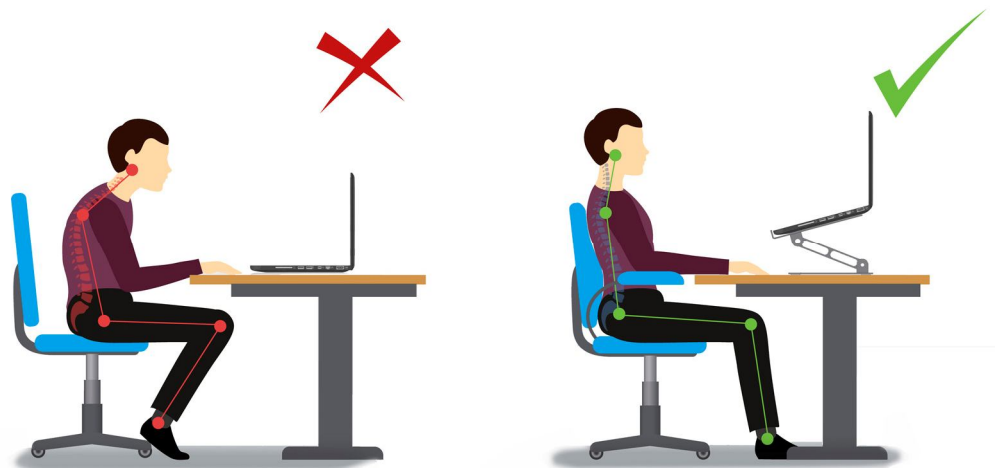
Adjustable Ergonomic Laptop Riser for Desk



It is made of specially processed aluminum alloy, looks neat, stylish and sturdy, support up to 17" laptop. This laptop riser can be adjustable in height and angle of your laptop for your healthy body posture to minimize neck fatigue and spine problems. The aluminum alloy and vent holes design accelerate the conduction and dissipation of heat.

Ergonomic Design

With Z-Type laptop riser, you can adjust the height and angle so you can tilt laptop to minimize neck fatigue and spine problems.



Widely Laptop Compatible

Z-Type laptop riser can work with all laptops from 10 ~ 17 inches such as MacBook, MacBook Air, MacBook Pro, Dell XPS, HP, Acer, ASUS, Microsoft Surface, Google Pixelbook, Lenovo, Chromebook and more

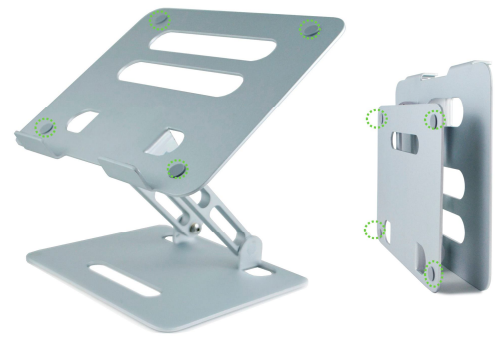
Ergonomic Sit to Stand Laptop Riser Convertor

Z-Type laptop riser can raise your laptop screen height from 9 to 21cm, bringing the laptop screen up to optimal viewing angle and best ergonomics



Anti-slip Rubber Protection

Each laptop riser is equipped with 10 rubber pads. The 6 anti-scratch rubber pads on the top prevent your laptop from being scratched and the 4 non-slip rubber pads on the base keep it in a position and stability of the stand.



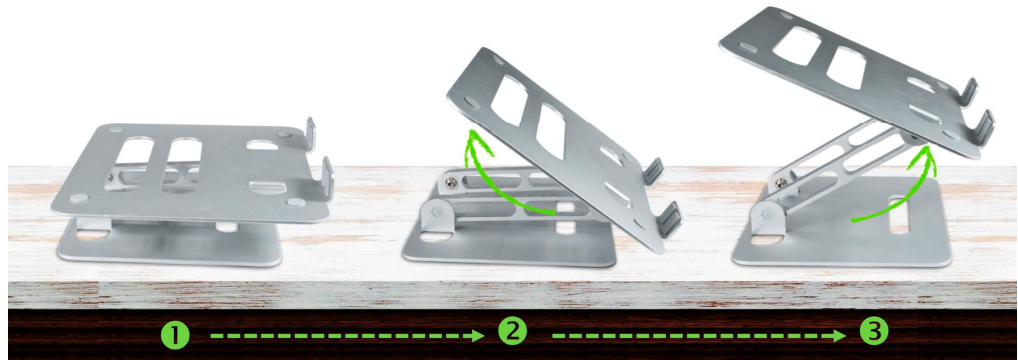
Heat dissipation

Aluminum alloy materials with ventilation holes accelerate the dissipation of heat.

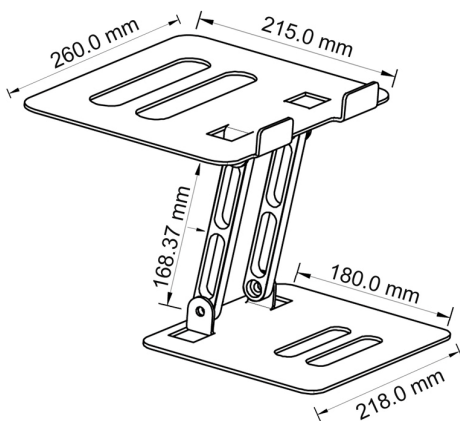
Foldable & Portable

It is foldable for easy storage and designed handle hole for easy carrying.

**No Tools Needed for Adjustment, Just a Pull
or a Push Depending on You Need.**



Dimension



Specification

Materials	Premium Aluminum Alloy
Foldable Structure	Z-Type Structure ; 2 hinges
Max. Weight Support	6 kgs
Laptop Compatibility	Compatible with all laptops from 10" to 17"
Color	Silver ; Space Gray
Size (Folded) mm	260.0 (L) x 215.0 (D) x 46.5 (H)
Weight (kg)	0.85 (N.W); 0.95 (G.W.)

* Features and specification are subject to change without notice.